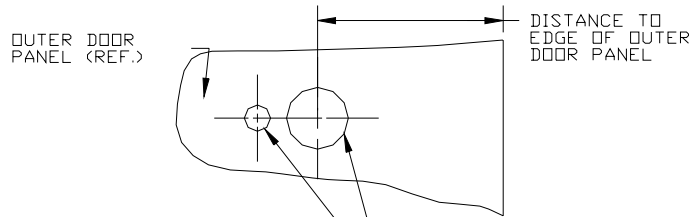


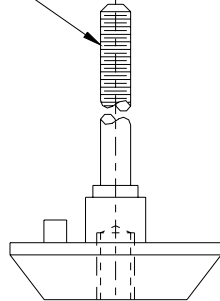
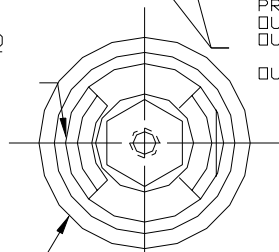
AUSTIN-ROMTECH NON-LOCKING AND LOCKING OUT-SWING DOOR LATCH INSTALLATION 1"-1 1/2"-2"-4" THICK DOORS



ORIENTATE AND INSTALL SHAFT SUB-ASSEMBLY INTO HOLES IN DOOR PANELS

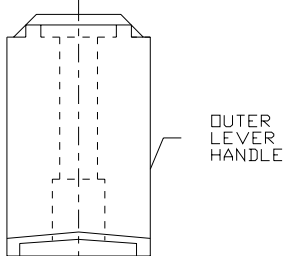
PREPARED HOLES IN OUTER DOOR PANEL
OUT-SWING, HINGE LEFT (AS SHOWN)
OUT-SWING, HINGE RIGHT (OPPOSITE HAND)

5/16" SHAFT SUB-ASSEMBLY



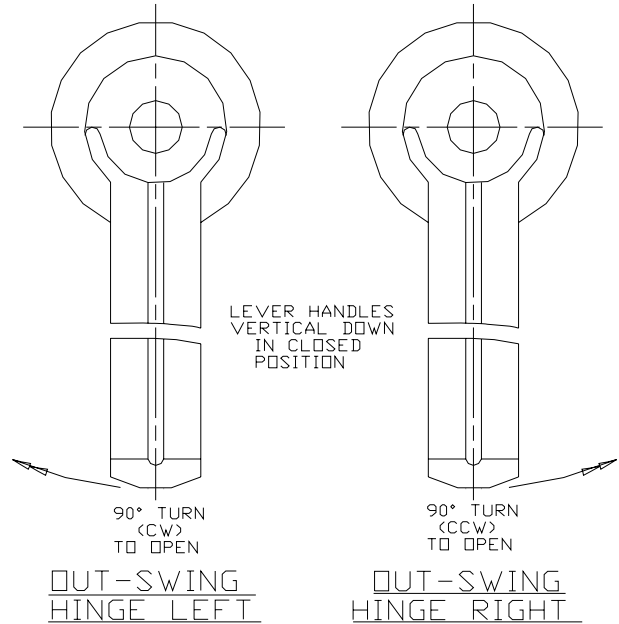
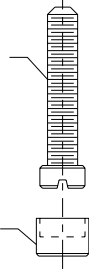
OUT-SWING, HINGE LEFT (SHOWN)
OUT-SWING, HINGE RIGHT (OPPOSITE HAND)

SNAP OUTER LEVER HANDLE INTO 5/16" SHAFT SUB-ASSEMBLY, INSERT AND TIGHTEN SLOTTED HEAD MACHINE SCREW, PRESS IN SCREW COVER

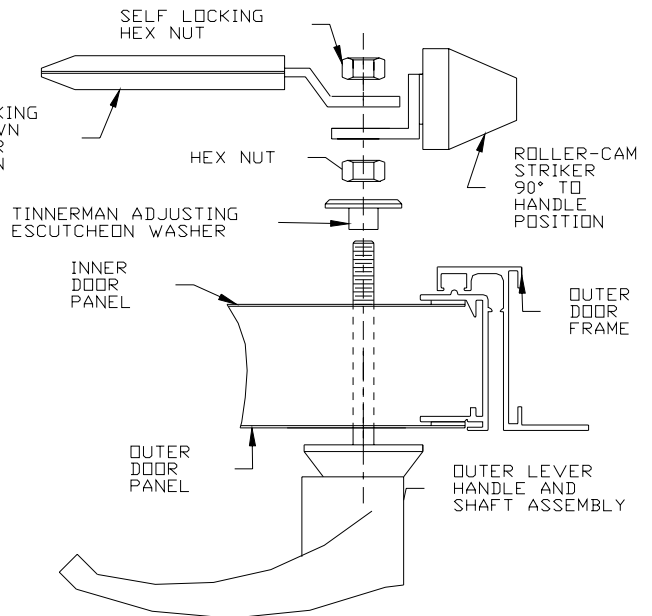


SLOTTED HEAD MACHINE SCREW

SCREW COVER



INSIDE NON-LOCKING HANDLE, 45° DOWN TO OUTER LEVER HANDLE POSITION



NOTE:

1. INSERT SHAFT ASSEMBLY AND LEVER HANDLE AS DESCRIBED ABOVE.
2. SLIDE ON TINNERMAN WASHER UP AGAINST INNER DOOR PANEL WHILE PRESSING LEVER HANDLE AGAINST OUTER DOOR PANEL.
3. INSTALL HEX NUT, ROLLER CAM, INSIDE HANDLE, AND SELF-LOCKING HEX NUT ON SHAFT. ADJUST TO COMPRESS DOOR GASKET AND/OR DESIRED CLOSED POSITION. ADJUST AS NECESSARY.

LD LOUVERS & DAMPERS
A MESTEK COMPANY

7435 INDUSTRIAL RD
FLORENCE, KY

Phone: (859) 538-3450
Fax: (859) 647-7810